

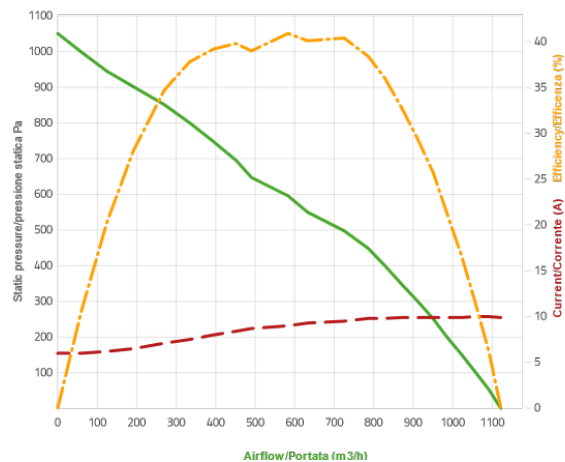
BRUSHLESS CENTRIFUGAL BLOWERS

019-BBL377P/R/N-95

IP6K9K



Performance diagram



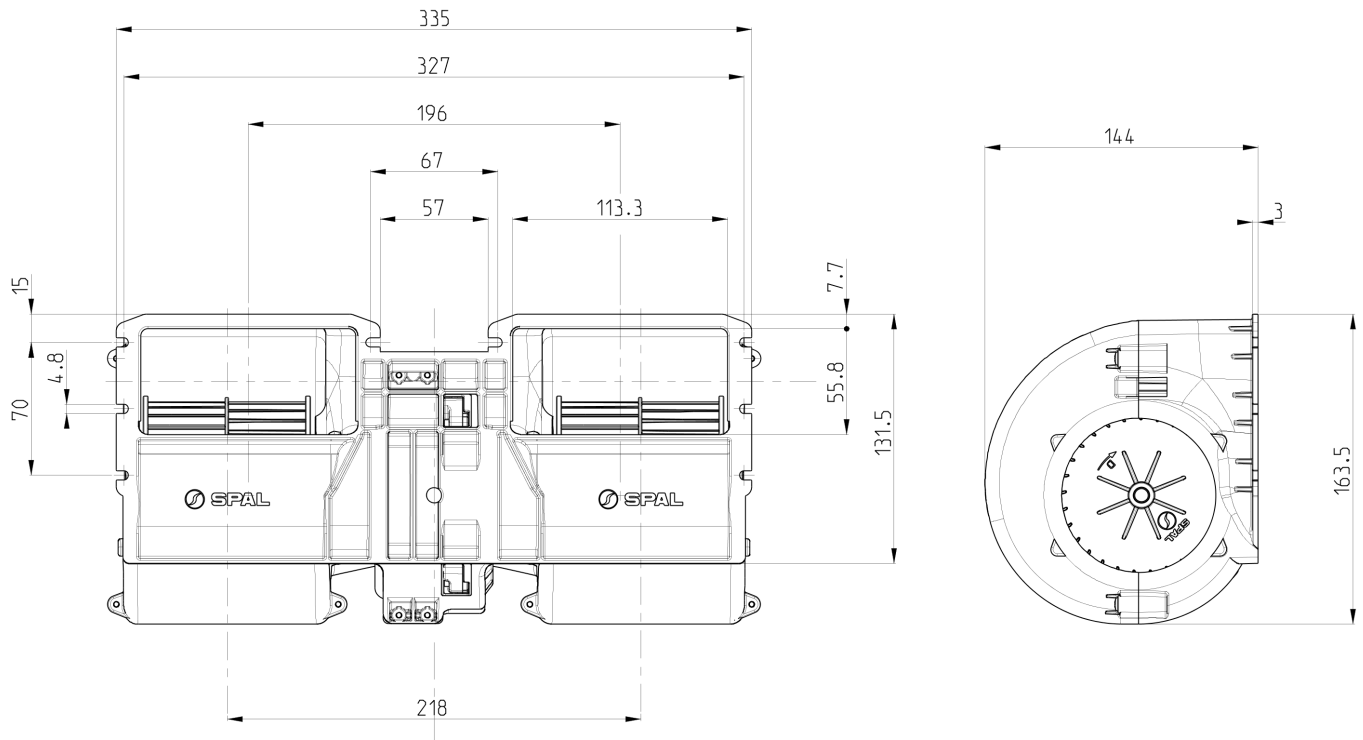
Pressure: 1 Pa = 0,004 inH₂O Airflow: 1 m³/h = 0,59 cfm

Features

Max fan speed	rpm	3400
Min fan speed	rpm	900
Sound pressure level	dB(A)	72,6 - at 1 m from the fan module - lateral side
Weight	kg	2,4
Operating supply voltage range	V	16..,32 at the Drive connector
Supply voltage to reach max speed	V	26..,32 at the Drive connector
Operating ambient temperature range	°C	-40..,+95
Speed derating threshold	°C	+95
Storage temperature range	°C	-40..,+95

This is a not-controlled copy electronically created from the web site www.spalautomotive.com. The information contained herein is subject to change without notice. This catalogue/web site does not imply that any such parts are available for supply. The publisher and any party associated with the production of this catalogue/web site do not accept any responsibility or liability whatsoever (to the extent permitted by law) for any inaccuracy, error, misinformation or misleading statements, whether negligently caused or otherwise, contained in this publication. This publication is protected by copyright and may not be reproduced or copied (using any method of reproduction or copying), sold, transmitted, circulated or otherwise forwarded to third parties, in whole or part, without prior written consent of the author.

Max fan speed	rpm	3400
Lifetime	h	up to 40000 hours depending on mission profile
Time from 0 rpm to max speed	s	14
Load dump protection (Pulse 5b)	V	65 - Pulse peak voltage (Us*) - ISO16750 - 2:2010
Reverse polarity protection		ISO 16750-1 functional status class C - device fully functional after connecting the polarity
<p>Notes(*): Few minutes ambient temperature transients do not engage the derating owing to the thermal inertia of the system. Overloads may anticipate derating.</p>		



This is a not-controlled copy electronically created from the web site www.spalautomotive.com. The information contained herein is subject to change without notice. This catalogue/web site does not imply that any such parts are available for supply. The publisher and any party associated with the production of this catalogue/web site do not accept any responsibility or liability whatsoever (to the extent permitted by law) for any inaccuracy, error, misinformation or misleading statements, whether negligently caused or otherwise, contained in this publication. This publication is protected by copyright and may not be reproduced or copied (using any method of reproduction or copying), sold, transmitted, circulated or otherwise forwarded to third parties, in whole or part, without prior written consent of the author.